



Plug-In Replacement Relay

Model PIRR

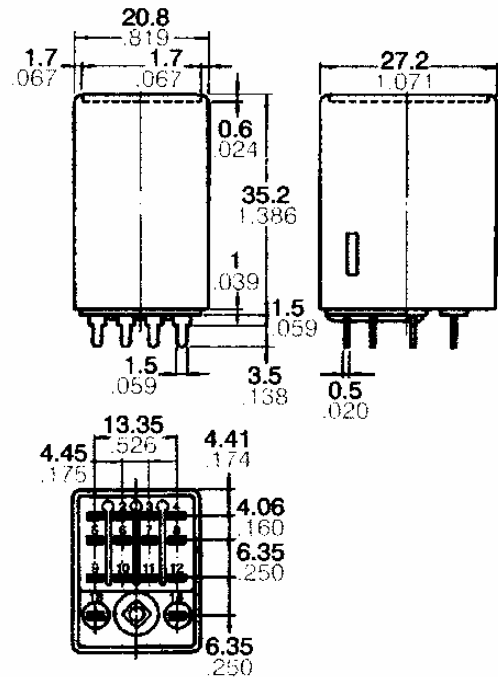
The Plug-In Replacement Relay, Model PIRR, is a 24 Volt AC, Four Pole, Double Throw Relay (4PDT) and is the relay used on the 4PDR Relay Socket. The PIRR is also used on many older electro-mechanical zone control panels. This relay was the standard relay used on many older TAT zoning panels. The PIRR replaces Model RMABS.

The easily replaceable relay may look different in terms of the relay's plastic case. The cases may vary in color from being white, clear, solid red and red see-thru, however the basic relay is the same. The PIRR is commonly referred to as a Form C relay.

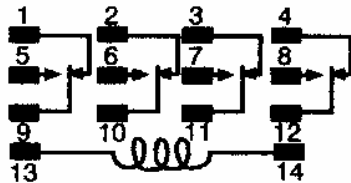
To change the relay, just un-plug the old one and plug-in the new one.



Dimensional Drawing



PIRR Internal Wiring



Relay Specifications

- Arrangement – Form C
- Contacts – 4 Pole, Double Throw
- Contact Material – Gold Clad Silver Nickel
- Contact Rating – 5A @ 250VAC
- Coil Voltage – Nominal 24 VAC
- Coil Current – Nominal 1.2VA (50HZ)
Nominal 1.3VA (60HZ)
50MA